

Strain Link with Amplifier DSRT 22DD

Features

- Static and dynamic applications
- Integrated reset switch for automatic zero point setting
- Measuring range ± 100 up to $\pm 750 \mu\epsilon$, extension and compression
- Voltage output



S/G Data

Strain gage type	Foil strain gage
------------------	------------------

Mechanical Data

Material	
- Housing	1.7225 chemically nickel-plated
- Cover	1.4301
Electrical connection	5 pin (M12 x 1)
Application position	any
Sensor stiffness	1 N/ $\mu\epsilon$ @100 0,2 N/ $\mu\epsilon$ @250 - 750

Environmental Conditions

Operating temp.range	0...+70 °C
Storage temp. range	-40...+85°C
EMC	EN 61000-6-2 EN 61000-6-4
Vibration IEC 60068-2-6	10 - 2000 Hz 10 g (amplitude $\pm 0,75$ mm, 10 - 58 Hz)
Random IEC 60068-2-64	20 - 1000 Hz, 0,1 g ² /Hz
Shock IEC 60068-2-27	50 g / 11 ms
Protection class	IP 67

Delivery Contents

Mounting screws	4 pcs. M6 x 25 strength class 12.9
-----------------	---------------------------------------

Order Code

DSRT 22DD-S5-

- 0100** Measuring range 100 $\mu\epsilon$
- 0250** Measuring range 250 $\mu\epsilon$
- 0350** Measuring range 350 $\mu\epsilon$
- 0500** Measuring range 500 $\mu\epsilon$
- 0750** Measuring range 750 $\mu\epsilon$

Electrical Data

Measuring range	$\pm 100 \mu\epsilon$... $\pm 750 \mu\epsilon$ (1 $\mu\epsilon$ = 0,001 mm/m resp. 1 $\mu\epsilon$ equals 0,001 mm strain per meter)
Output signal	± 10 VDC (max. ± 12 VDC)
Characteristic curve deviation	< 1,0% FS
Linearity	< 0,5% FS
Hysteresis	< 0,5% FS
Repeatability	< 0,1% FS
Supply voltage range	18 - 33 VDC
Taring "activ High"	Low < 1 VDC High 5...33 VDC

Accessories (not included in delivery)



Connector female, control side, 5-pin, Part No. 10135462

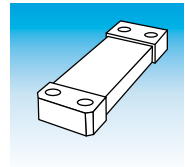


Connector female with cable, control side, 5-pin

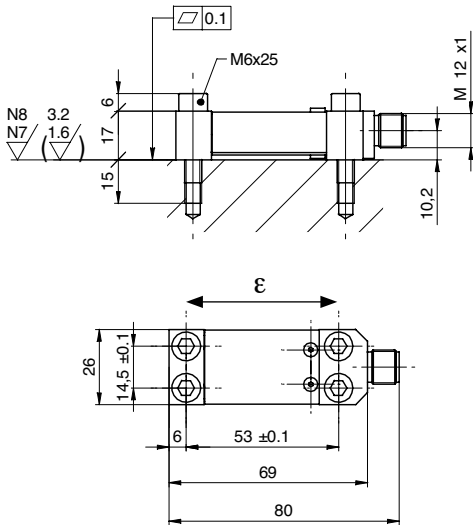
ESG 34CH0200G 5-pin (shielded) 2 m, PUR,
(Part No. 11046264)

ESG 34CH0500G 5-pin (shielded) 5 m, PUR,
(Part No. 11046266)

ESG 34CH1000G 5-pin (shielded) 10 m, PUR,
(Part No. 10155587)



Dimensions (mm)

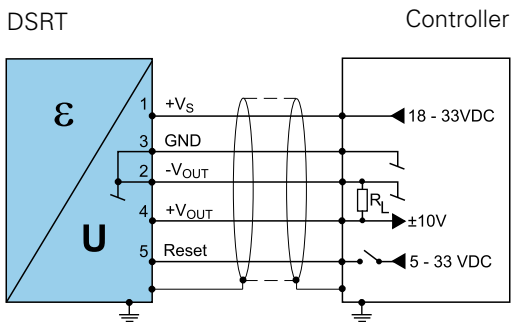


Electrical Connections

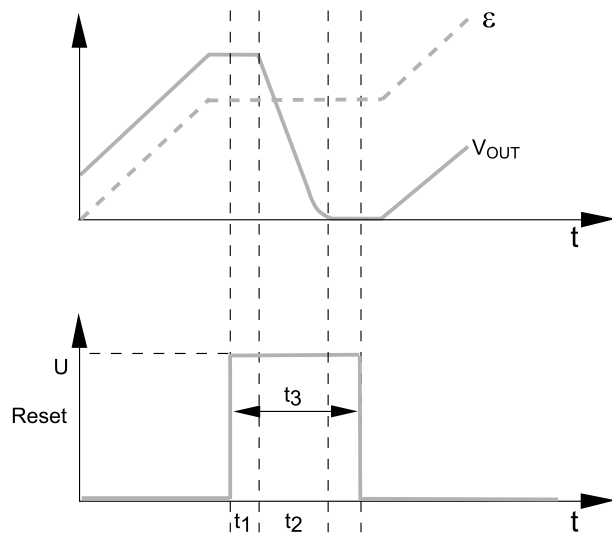


Pin	Signal
1	+Vs
2	-V _{OUT}
3	GND
4	+V _{OUT}
5	Reset
Housing	Shield

Control



Reset Function



V _{OUT}	Output signal
ε	Input signal
Reset	Reset input (active high)
t ₁	Reset delay (< 0,3 ms)
t ₂	Reset time (< 5 ms)
t ₃	Reset impulse (> 1 ms)